

KLR62232
KLR64255



Mounting Pattern

KLR62232:

100 x 100, 200 x 100,
200 x 200mm

KLR64255:

400 x 400mm



Max Load

KLR62232:
125lb (56kg)

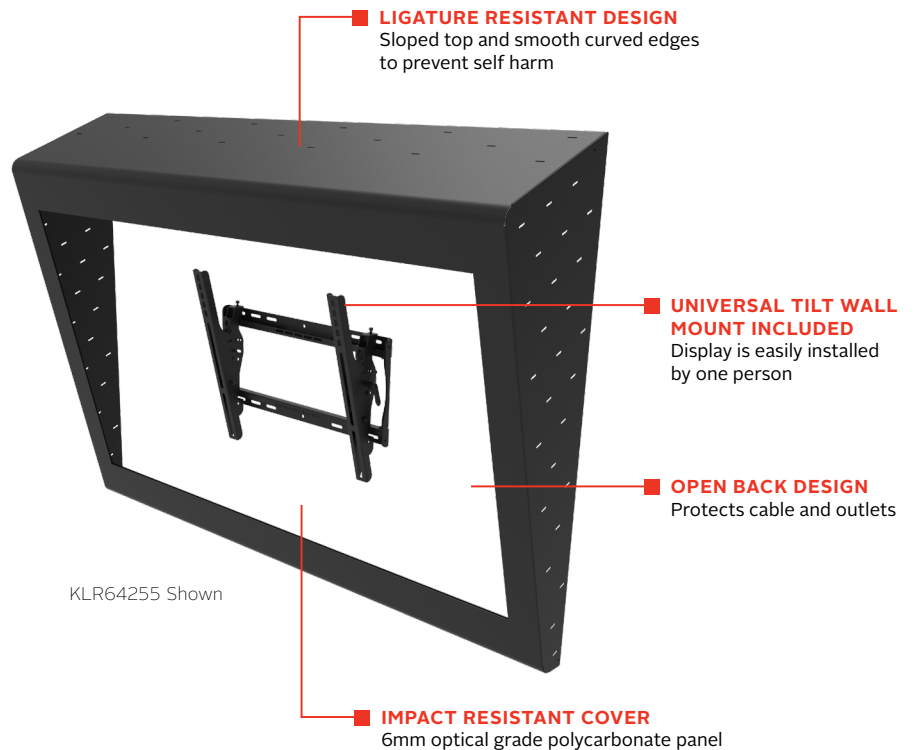
KLR64255:
150lb (68kg)

Ligature Resistant Display Enclosure

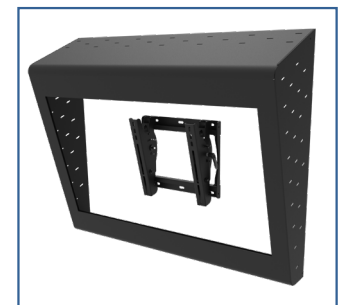
FOR 22", 26", 32", 42" & 55" DISPLAYS

Peerless-AV® has designed and manufactured the Ligature Resistant Display Enclosure with safety in mind to protect patients, as well as facility equipment. The smooth curved edges, with no external seams, address updated Joint Commission standards for hospitals and mental health facilities. The sloped top, on-wall enclosure mounts flush against a wall to prevent tampering, theft and damage to the display inside. This enclosure is an ideal solution for environments where protection from self-harm is a concern.

- 15 degree sloped top and generously curved edges provides a non-looping enclosure that dramatically reduces the chance of the enclosure becoming a ligature point
- For maximum safety, the electrical and cable TV outlets can be protected by the cover
- Vented sides to keep the display at its optimal operation temperature
- Recessed security screws are tamper resistant and require security tools to remove
- Pre-assembled enclosure to simplify installation
- KLR62232 is VESA® 100 x 100, 200 x 100, 200 x 200mm compliant
- KLR64255 is VESA® 400 x 400mm compliant



KLR64255 Shown



KLR62232 Shown



Please visit peerless-av.com/en-us/patents for patent information.

KLR62232 Ligature Resistant Display Enclosure for 22", 26" & 32" Displays
KLR64255 Ligature Resistant Display Enclosure for 42" & 55" Displays

Product Specifications

	DIMENSIONS (W x H x D)	PRODUCT WEIGHT	LOAD CAPACITY	FINISH	AVAILABLE COLORS
KLR62232	32.35" x 26.29" x 9.18" (822 x 668 x 233mm)	30lb (13.6kg) (enclosure)	125lb (56kg)	Textured	Black
KLR64255	53.85" x 39.24" x 11.41" (1368 x 997 x 290mm)	51lb (23.1kg) (enclosure)	150lb (68kg)		

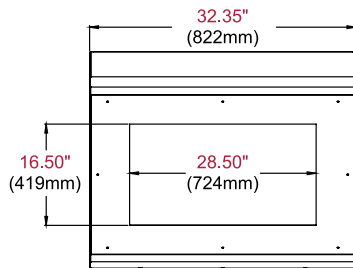
Package Specifications

	PACKAGE SIZE (W x H x D)	PACKAGE SHIP WEIGHT	PACKAGE UPC CODE	PACKAGE CONTENTS	UNITS IN PACKAGE
KLR62232	34.00" x 28.00" x 13.00" (863 x 711 x 331mm)	38lb (17.2kg)	735029332664	Enclosure, Display Mount, Installation Instructions and Mounting Hardware	1
KLR64255	55.00" x 41.00" x 14.00" (1397 x 1041 x 356mm)	60lb (27.2kg)	735029332671		

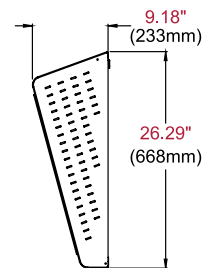
Accessories

HDMI & Component Video Cables: Contact Peerless-AV® Customer Care for More Information
CL-SCG200: Screen Cleaning Gel 200ml for LCD, LED and Plasma Flat Panel Displays
ACC415: 4-pack Metal Stud Fastener Kit

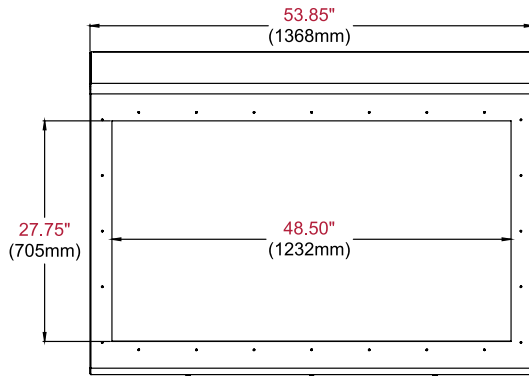
All dimensions = inch (mm)



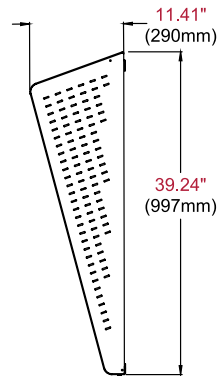
KLR62232 FRONT VIEW



KLR62232 SIDE VIEW



KLR64255 FRONT VIEW



KLR64255 SIDE VIEW

Architect Specifications

The Ligature Resistant Protective Display Enclosure shall be a Peerless-AV model KLR62232 or KLR64255 and shall be located where indicated on the plans. Assembly and installation shall be done according to instructions provided by the manufacturer.

Visit peerless-av.com to see the complete line of AV solutions from Peerless-AV, including outdoor displays, wireless, kiosks, digital audio, display mounts, projector mounts, carts/stands, and a full assortment of accessories.

Peerless-AV
 2300 White Oak Circle
 Aurora, IL 60502 USA
(800) 865-2112
(630) 375-5100
Fax: (800) 359-6500

Peerless-AV EMEA
 Unit 3 Watford Interchange
 Colonial Way, Watford
 Herts, WD24 4WP
 United Kingdom
+44 (0) 1923 200100
Fax: +44 (0) 1923 200101

Peerless-AV Latin America
 Ave de las Industrias 413
 Parque Industrial Escobedo
 Escobedo, N.L.,
 Mexico 66062
+52 (81) 8384-8300
Fax: +52 (81) 8384-8360

